

KombiSIGN 50 / Accessories

Tube D25mm 600mm long SR



Part No.: 975.840.60

MECHANICAL DATA	
Height	600 mm
Diameter	25 mm
Materials	Aluminium
Housing colour	Silver
Weight with packaging	166 g
Product weight	166 g

APPROVAL DATA	
Conforms with CE	No
WEEE	No
Conforms with ATEX-directive	No
Conforms with CCC	No
Conforms with UL	No
Conforms with FCC	No
Conforms with IC	No
EAC certificate available	No
Conforms with UKCA (Importer)	No
Conforms with AS-I	No
ICAO Certification	No
Conforms with DNV	No
Conforms with RoHS CN	No

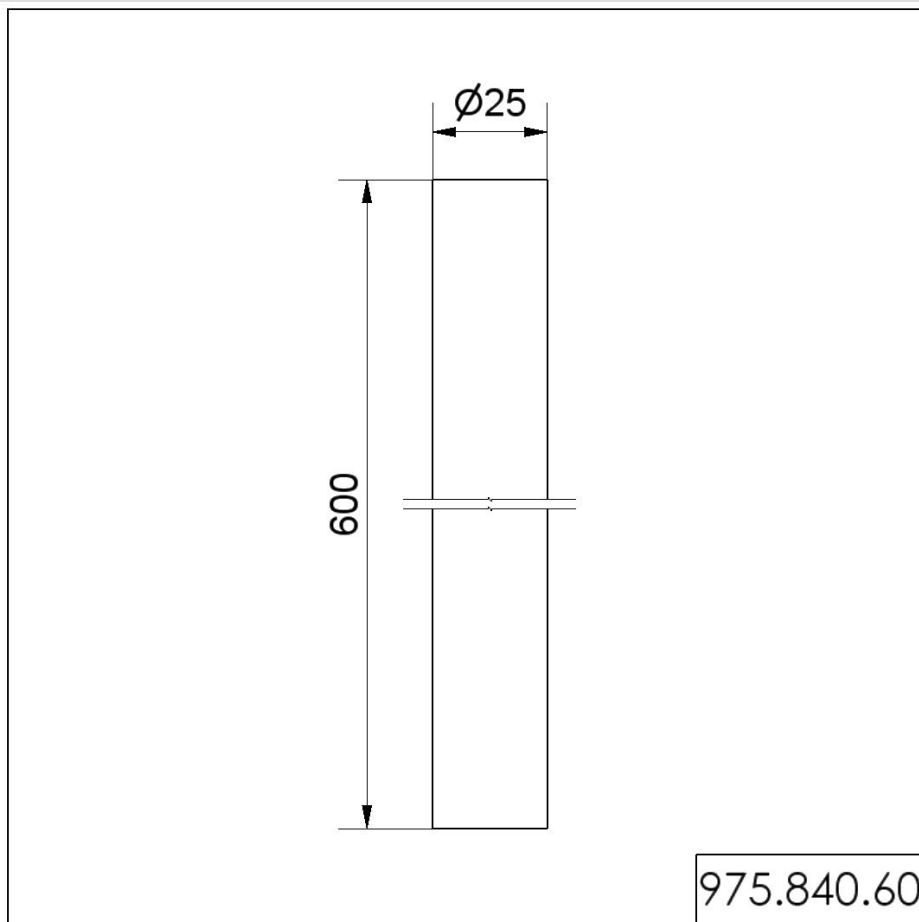


For additional installation and mounting information, refer to the appropriate user guide at www.werma.com. This printed copy is for information only and is subject to alteration.

KombiSIGN 50 / Accessories

Tube D25mm 600mm long SR

DRAWING



For additional installation and mounting information, refer to the appropriate user guide at www.werma.com. This printed copy is for information only and is subject to alteration.